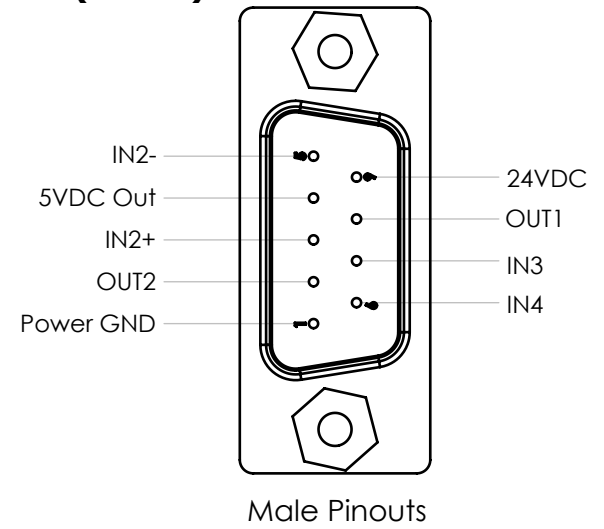
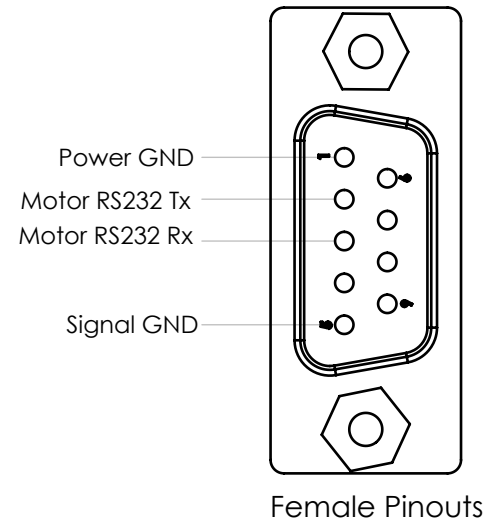
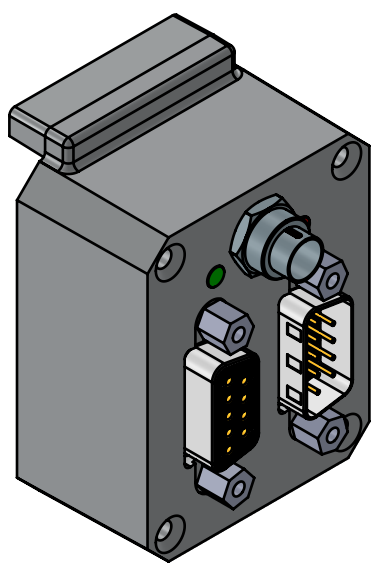
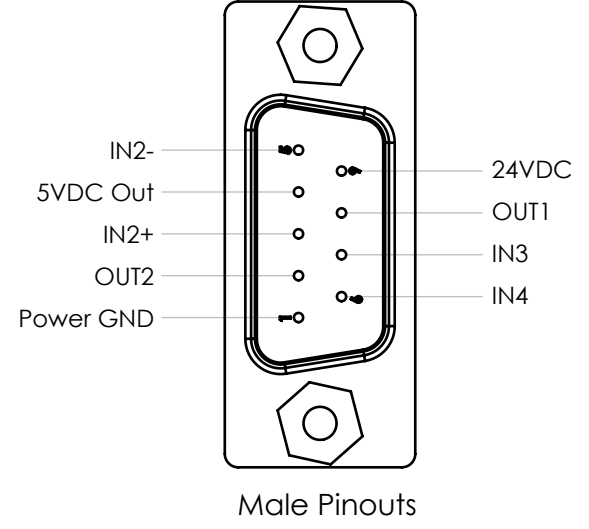
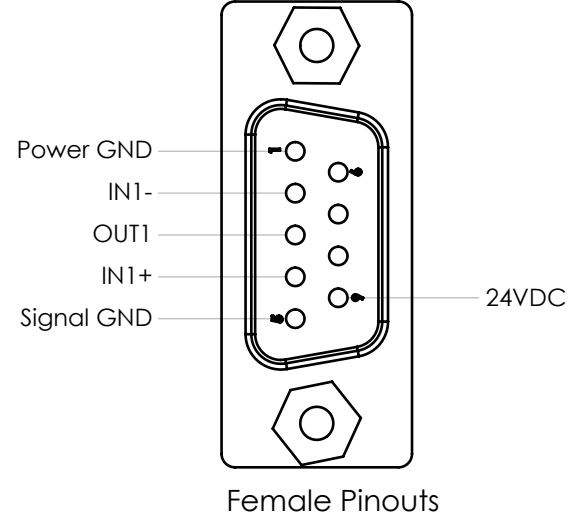


**SRLM (RS232)**



**SRLS (TTL)**



Cable	Part No. *	SRLM	SRLS
M9 Power	CM1M9-2F-XXXX	Yes	Yes
SRLS USB Communication	CM1US2-XXXX	No	Yes
SRLM USB Communication	CM1US7-XXXX	Yes	No
Daisy Chain Cable	SSC-XXXX	Yes	Yes

NAME		DATE		DO NOT SCALE DRAWING		DIMENSIONS ARE METRIC			
DRAWN		E.Lock		FEB-10-2015		TITLE:			
CHECKED						<b>CM1 Serial Interface</b>			
ENG APPR.									
<p><b>Myostat Motion Control Inc.</b> 17817 Leslie St, Unit 43 Newmarket, ON - L3Y 8C6 Canada www.myostatmotioncontrol.com</p>				SIZE		PRT. NO.		REV	
				<b>B</b>		<b>-SRL</b>		<b>5.0</b>	
SCALE: 1:1				WEIGHT: -		SHEET 1 OF 1			

**PROPRIETARY AND CONFIDENTIAL**  
THE INFORMATION CONTAINED IN THIS DRAWING IS THE SOLE PROPERTY OF MYOSTAT MOTION CONTROL INC. ANY REPRODUCTION IN PART OR AS A WHOLE WITHOUT THE WRITTEN PERMISSION OF COOLMUSCLE INC. IS PROHIBITED.