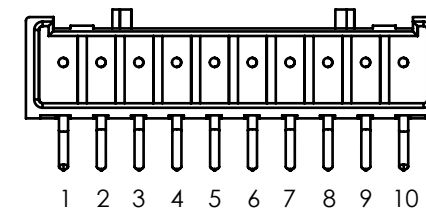
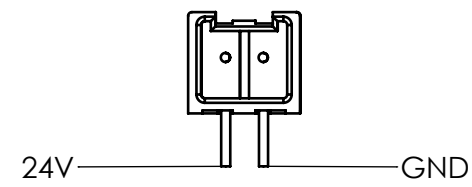
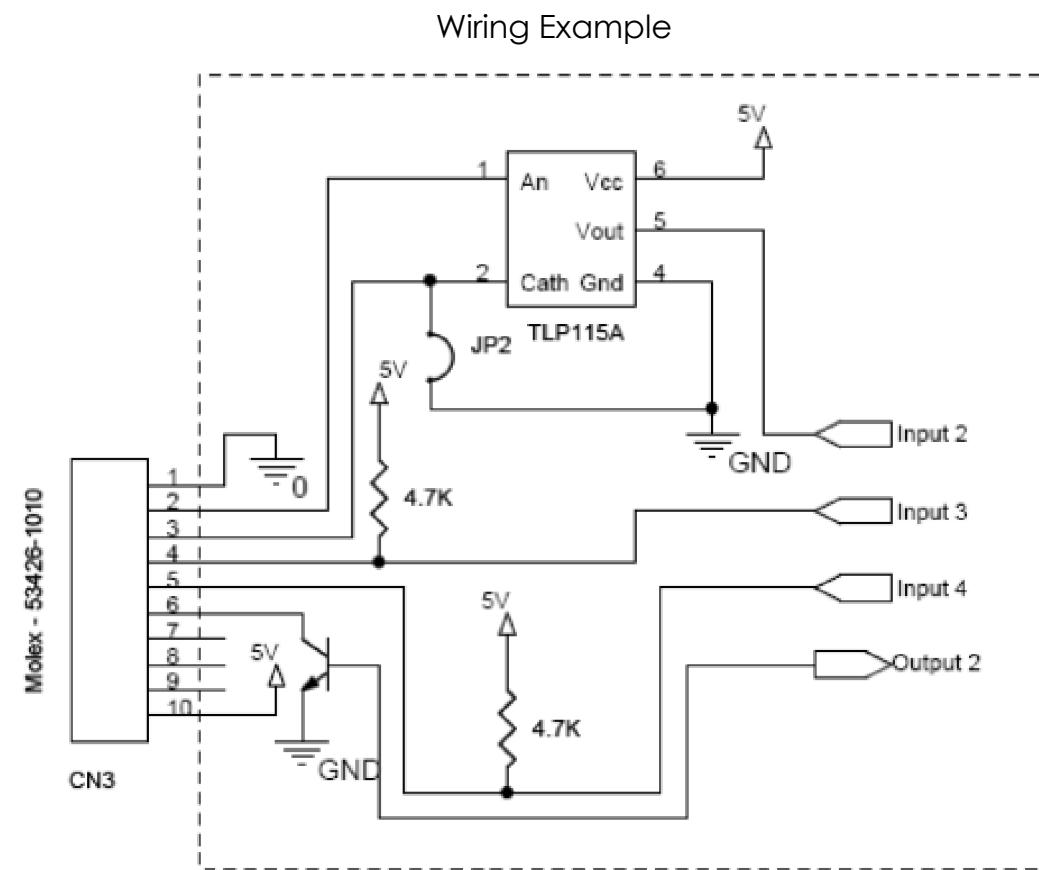


Cable	Part No.
Power	IPXPWR-400S
Input/Output	IPXIO-400S / 2000S
Ethernet	RJ45



- 1 - GND (black)
- 2 - IN2+ (yellow)
- 3 - IN2- (white)
- 4 - IN3 (white)
- 5 - IN4 (blue)
- 6 - OUT2 (brown)
- 7 - not connected
- 8 - not connected
- 9 - not connected
- 10 - 5V (red)



NAME	DATE	DO NOT SCALE DRAWING	DIMENSIONS ARE METRIC
DRAWN	M. Dank	1-July-2010	TITLE:
CHECKED			CM1 Ethernet Interface
ENG APPR.			
		SIZE	PRT. NO.
Myostat Motion Control Inc. 17817 Leslie St, Unit 43 Newmarket, ON - L3Y 8C6 Canada www.myostatmotioncontrol.com		B	-IPX/EIP/MBT
		SCALE: 1:1	WEIGHT: -
		SHEET 1 OF 1	

PROPRIETARY AND CONFIDENTIAL
 THE INFORMATION CONTAINED IN THIS DRAWING IS THE SOLE PROPERTY OF MYOSTAT MOTION CONTROL INC. ANY REPRODUCTION IN PART OR AS A WHOLE WITHOUT THE WRITTEN PERMISSION OF COOLMUSCLE INC. IS PROHIBITED.