

8

7

6

5

4

3

2

D

D

C

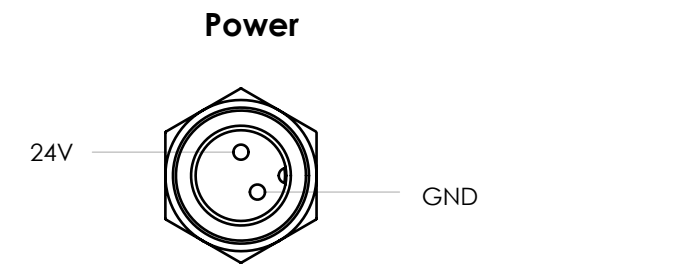
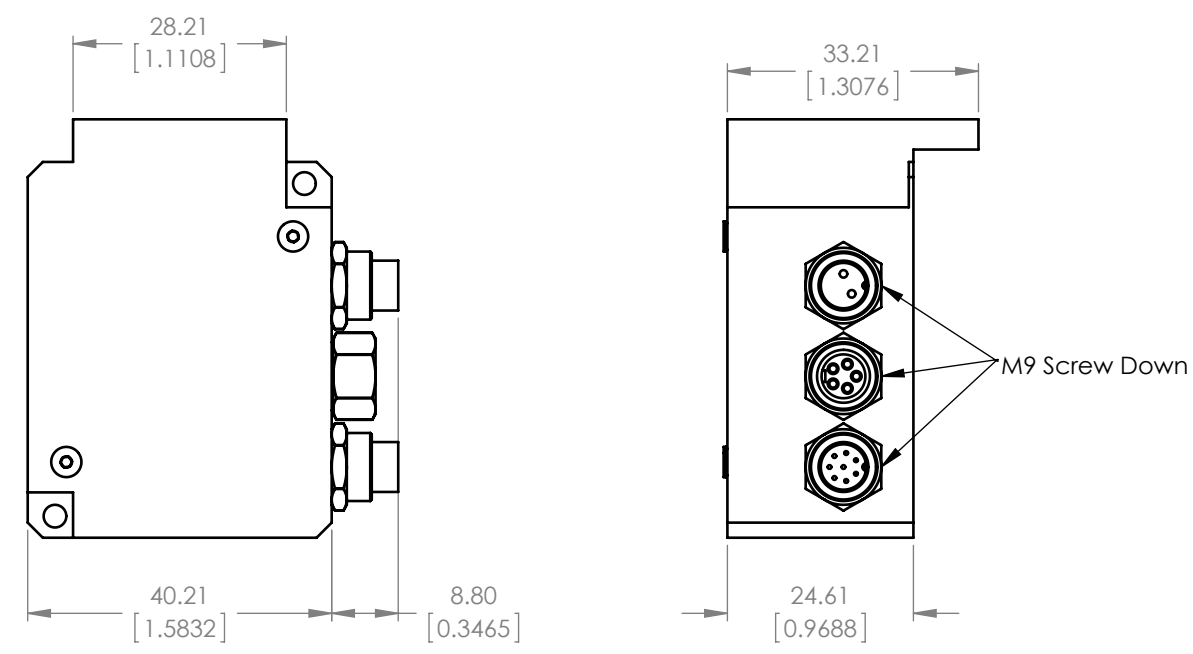
C

B

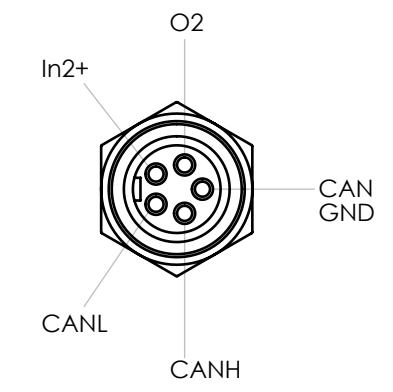
B

A

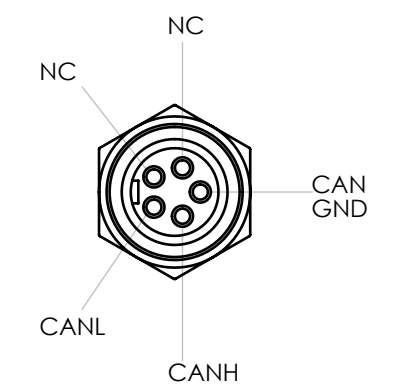
A



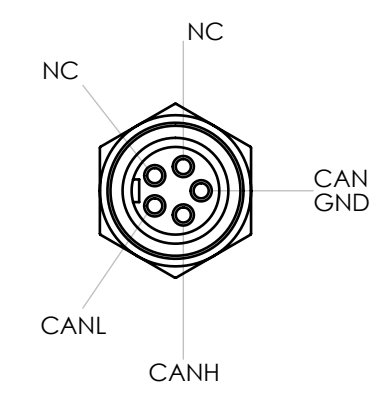
CAN3N CANopen Communication



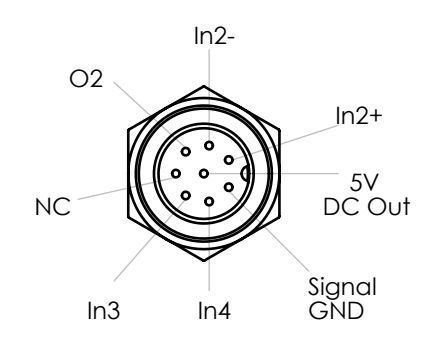
CAN3D Communication



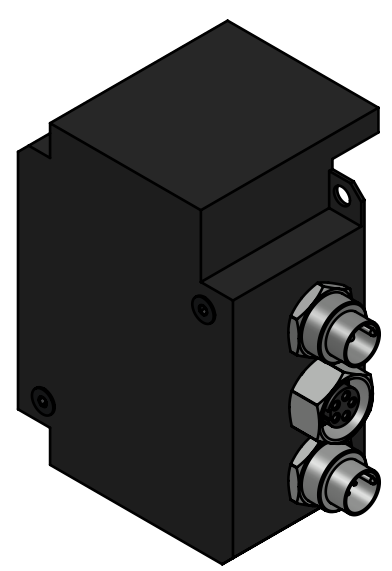
CAN3N Second CAN Communication



CAN3D Input/Output



NC = Not Connected



	NAME	DATE	DO NOT SCALE DRAWING	DIMENSIONS ARE METRIC
DRAWN	E.Lock	Jan-26-2015	TITLE:	
CHECKED			CM1 CAN3 Interface	
ENG APPR.				
			SIZE	PRT. NO.
Myostat Motion Control Inc. 17817 Leslie St, Unit 43 Newmarket, ON - L3Y 8C6 Canada www.myostatmotioncontrol.com			B	-CAN3N/D
			SCALE: 1:1	WEIGHT: -
			REV 0.1	
			SHEET 1 OF 1	

PROPRIETARY AND CONFIDENTIAL
 THE INFORMATION CONTAINED IN THIS DRAWING IS THE SOLE PROPERTY OF MYOSTAT MOTION CONTROL INC. ANY REPRODUCTION IN PART OR AS A WHOLE WITHOUT THE WRITTEN PERMISSION OF COOLMUSCLE INC. IS PROHIBITED.

8

7

6

5

4

3

2

1