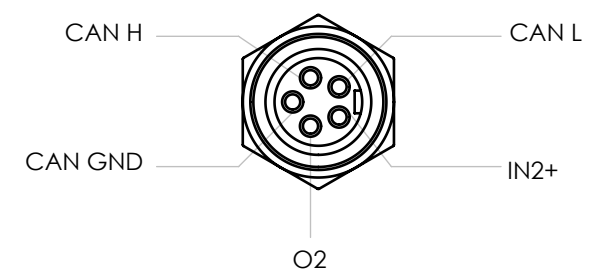
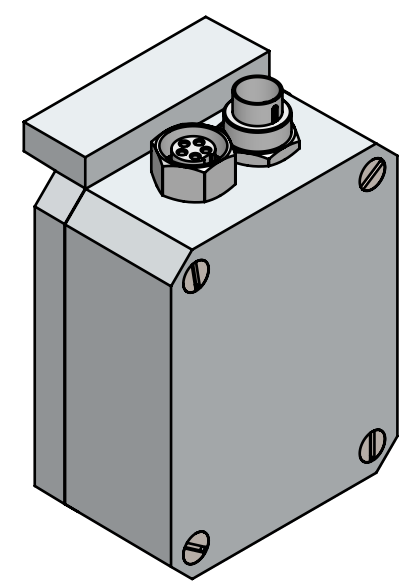
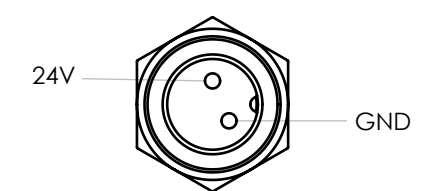


M9 Screw Down


### CANopen Communication



### Power



**PROPRIETARY AND CONFIDENTIAL**  
 THE INFORMATION CONTAINED IN THIS DRAWING IS THE SOLE PROPERTY OF MYOSTAT MOTION CONTROL INC. ANY REPRODUCTION IN PART OR AS A WHOLE WITHOUT THE WRITTEN PERMISSION OF COOLMUSCLE INC. IS PROHIBITED.

NAME		DATE		DO NOT SCALE DRAWING		DIMENSIONS ARE METRIC	
DRAWN	E.Lock	Jan-26-2015		TITLE: <b>CM1 CAN2 Interface</b>			
CHECKED							
ENG APPR.							
 <b>Myostat Motion Control Inc.</b> 17817 Leslie St, Unit 43 Newmarket, ON - L3Y 8C6 Canada <a href="http://www.myostatmotioncontrol.com">www.myostatmotioncontrol.com</a>				SIZE	PRT. NO.	REV	
				<b>B</b>	<b>-CAN2/DNT2</b>	<b>1.1</b>	
SCALE: 1:1		WEIGHT: -		SHEET 1 OF 1			