

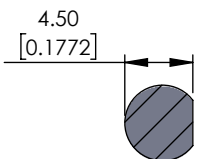
4

3

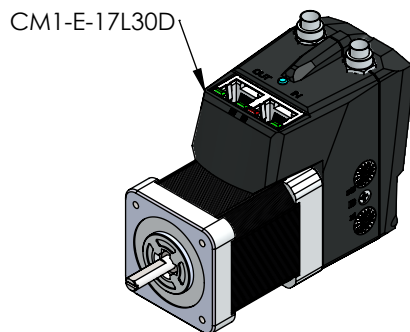
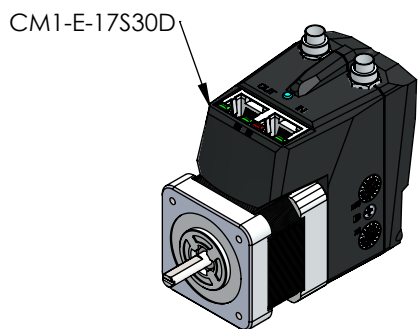
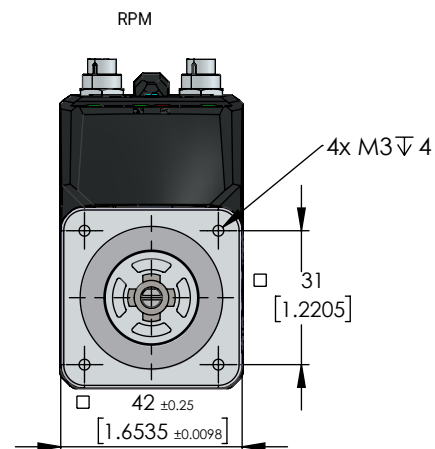
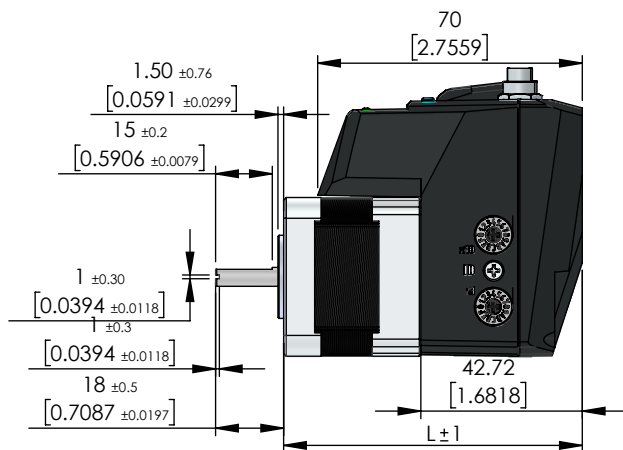
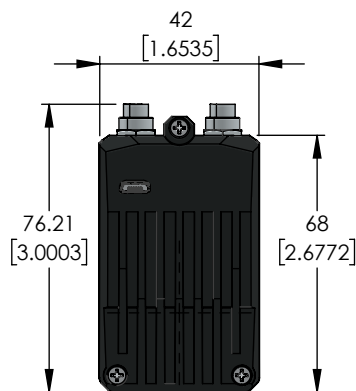
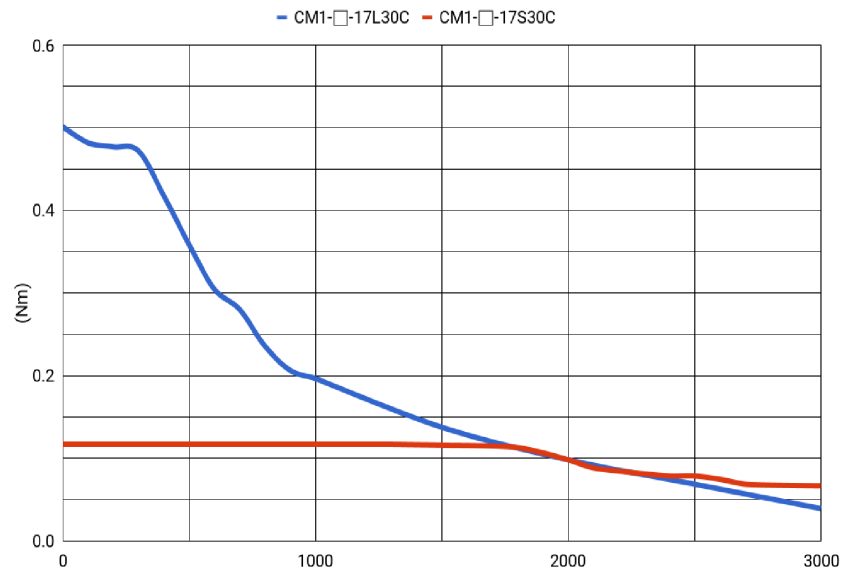
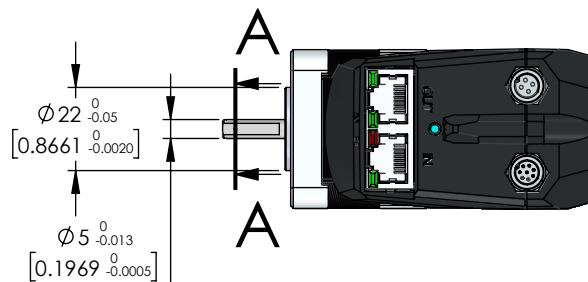
2

1

MODEL	L	Weight (kg)
CM1-E-17L30D	94	0.56
CM1-E-17S30D	79	0.4

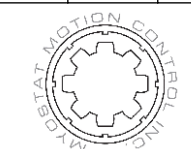


A-A (2 : 1)

For more information about EtherCAT [CLICK HERE](#)

Unless otherwise specified,
tolerance to be: CNS 4018
If 14 Linear measures
0.5-3 ± 0.1
3-6 ± 0.1
6-30 ± 0.2
30-120 ± 0.3
120-315 ± 0.5

PROPRIETARY AND CONFIDENTIAL
THE INFORMATION CONTAINED IN
THIS DRAWING IS THE SOLE
PROPERTY OF MYOSTAT
MOTION CONTROL INC. ANY
REPRODUCTION IN PART OR
AS A WHOLE WITHOUT THE WRITTEN
PERMISSION OF MYOSTAT MOTION
CONTROL INC. IS PROHIBITED.

	NAME	DATE	DO NOT SCALE DRAWING	UNITS: mm [inch]	
DRAWN	M. Dank	12-07-2018	TITLE: CM1 EtherCAT Interface		
CHECKED	M.McCann	12-07-2018			
ENG APPR.	M.McCann	12-07-2018			
 Myostat Motion Control Inc. +1 905-836-4441 www.myostat.ca			SIZE	PRT. NO.	REV
			A	CM1-E-17□30D	1.3
			SCALE 1:2	SHEET 1 OF 2	

4

3

2

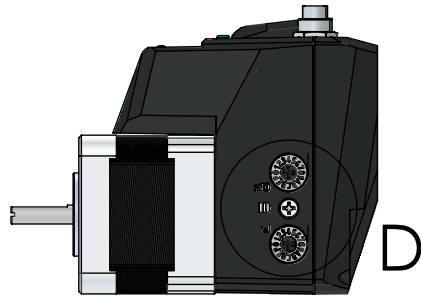
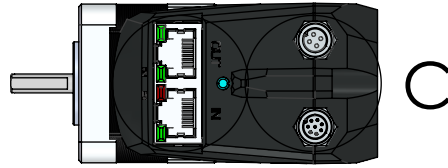
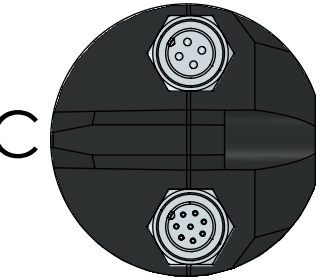
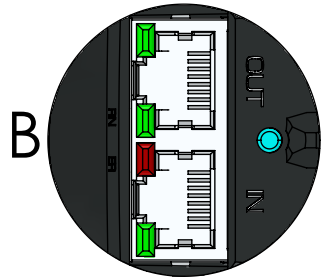
1

4

3

2

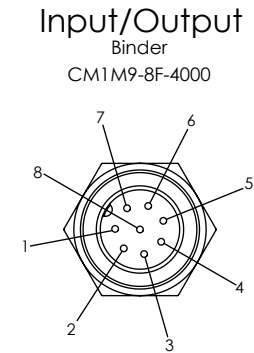
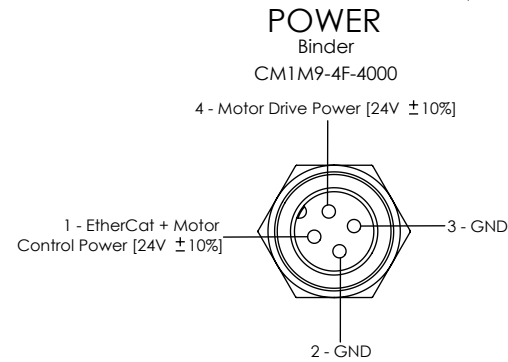
1



Pin #	Name	EtherCAT Function	Motor Function	Specification			
Digital Inputs - Sourcing (supply 0V to trigger)				Parameter	Min	Max	Unit
1 - Orange 2 - Brown 3 - Green 4 - Yellow	IN 1	Digital Inout 1	-	Voltage Range	0	36	V
	IN 2	Digital Input 2	Digital Input 2	Input ON Level	0	1.4	V
	IN 3	Digital Input 3	Digital Input 3	Input Off Level	1.4	36	V
	IN 4	Digital Input 4	-	Continuous Current	-	30	mA
				Peak Current	-	0.5	A
				Pulse Width	-	1	ms
Analog Input (0-5V)				Parameter	Min	Max	Unit
5 - Purple	A - IN 5	-	Analog Input 4	Voltage Range	0	5	V
Digital Outputs - Sinking (output supplies 0V when Asserted)				Parameter	Min	Max	Unit
6 - Blue 7 - Black	Out 1	Digital Output 1	-	Voltage Range	0	-	V
	Out 2	-	Output 2	Continuous Current	-	1	A
				Inductive Load Peak Rev Current	-	0.2	A
				Inductive Load Peak Rev Voltage	-	70	V
Signal Ground (0V)				Parameter	Min	Max	Unit
8 - Red	0V	0V	0V	Voltage Range	0	0	V

Part Number	Input Voltage	Peak Torque	Peak Current	Peak Speed
CM1-E-17S30D	24V ± 10%	0.117 Nm (11.61 oz.in)	1.0A	3000 rpm
CM1-E-17L30D		0.54 Nm (76.4 oz.in)	1.8A	

CE requires cables longer than 30 meters to have surge protection



Unless otherwise specified, tolerance to be: CNS 4018 IT 14 Linear measures 0.5-3 ± 0.1 3-6 ± 0.1 6-30 ± 0.2 30-120 ± 0.3 120-315 ± 0.5	NAME	DATE	DO NOT SCALE DRAWING	UNITS: mm [inch]	
	DRAWN	M.Dank	12-07-2018	TITLE: CM1 EtherCAT Interface	
	CHECKED	M.McCann	12-07-2018		
ENG APPR.	M.McCann	12-07-2018			
PROPRIETARY AND CONFIDENTIAL THE INFORMATION CONTAINED IN THIS DRAWING IS THE SOLE PROPERTY OF MYOSTAT MOTION CONTROL INC. ANY REPRODUCTION IN PART OR AS A WHOLE WITHOUT THE WRITTEN PERMISSION OF MYOSTAT MOTION CONTROL INC. IS PROHIBITED.	 Myostat Motion Control Inc. +1 905-836-4441 www.myostat.ca		SIZE	PRT. NO.	REV
			A	CM1-E-17□30D	1.3
			SCALE 1:2		SHEET 2 OF 2

4

3

2

1