

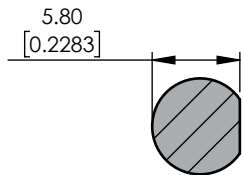
4

3

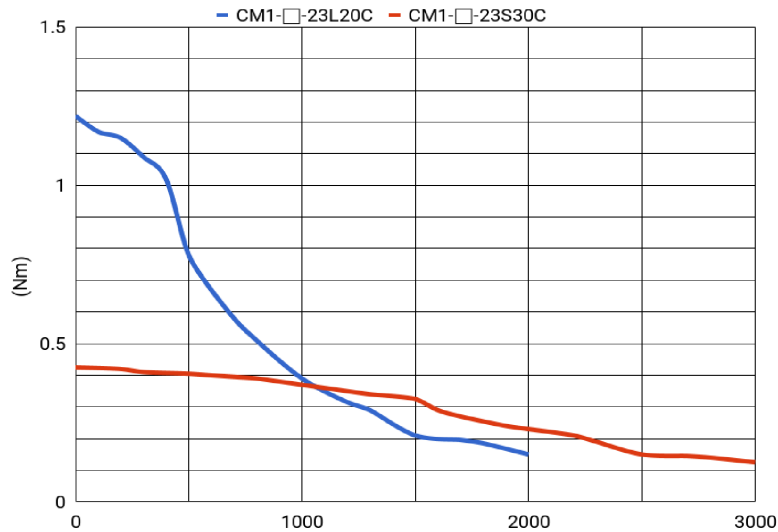
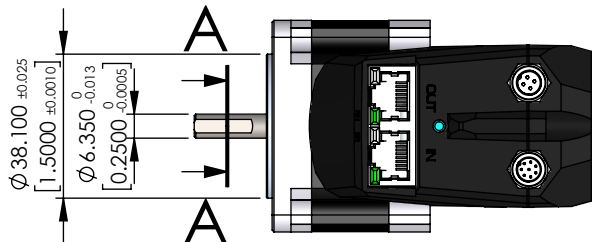
2

1

MODEL	L	Weight (kg)
CM1-E-23L20D	118.5	1.18
CM1-E-23S30D	84.5	0.62



A-A (2 : 1)



D

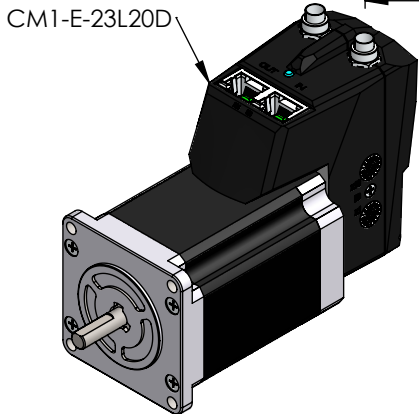
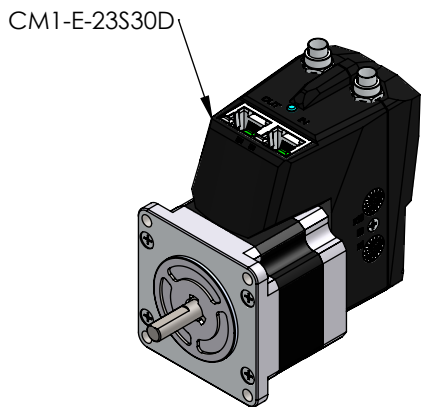
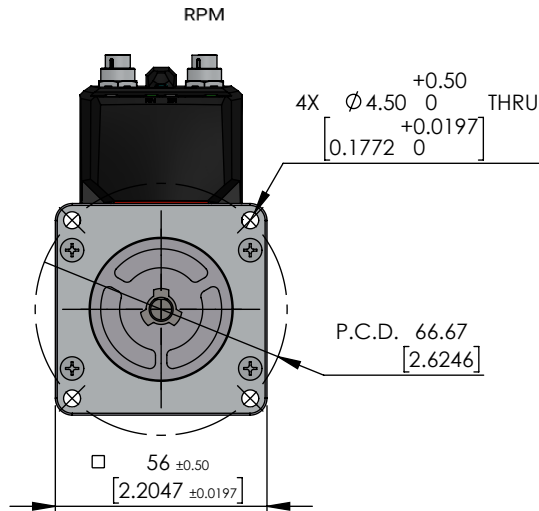
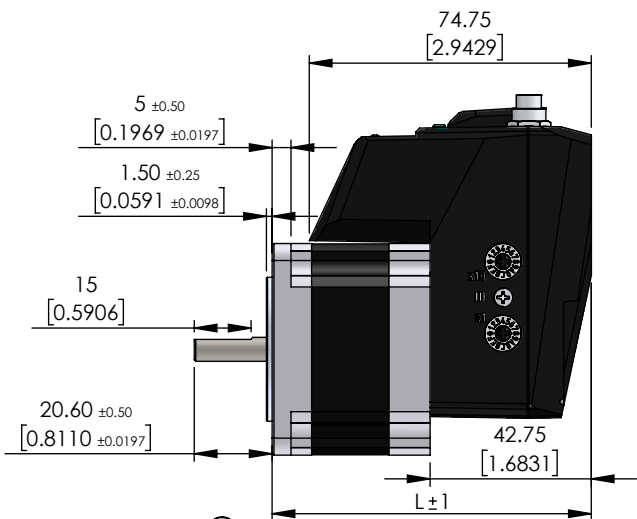
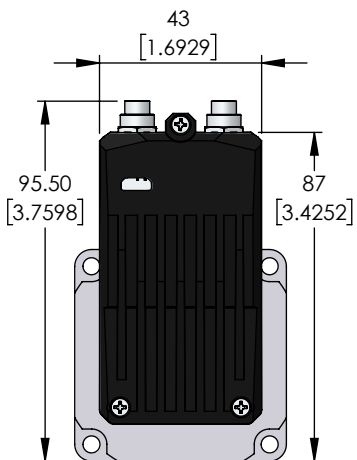
D

C

C

B

B



A

A

4

3

2

1

For more information about EtherCAT [CLICK HERE](#)

Unless otherwise specified, tolerance to be: CNS 4018		NAME		DATE		DO NOT SCALE DRAWING		UNITS: mm [inch]	
IT 14 Linear measures		DRAWN		M.Dank		12-07-2018		TITLE:	
0.5-3 ±0.1		CHECKED		M.McCann		12-07-2018		CM1 EtherCAT Interface	
3-6 ±0.1		ENG APPR.		M.McCann		12-07-2018			
6-30 ±0.2						SIZE A		PRT. NO. CM1-E-23□□0D	
30-120 ±0.3								REV 1.2	
120-315 ±0.5								SCALE 1:2	
PROPRIETARY AND CONFIDENTIAL THE INFORMATION CONTAINED IN THIS DRAWING IS THE SOLE PROPERTY OF MYOSTAT MOTION CONTROL INC. ANY REPRODUCTION IN PART OR AS A WHOLE WITHOUT THE WRITTEN PERMISSION OF MYOSTAT MOTION CONTROL INC. IS PROHIBITED.		Myostat Motion Control Inc. +1 905-836-4441 www.myostat.ca		SHEET 1 OF 2					

4

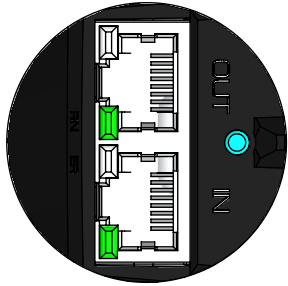
3

2

1

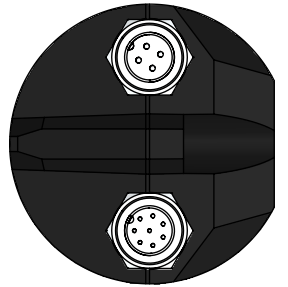
D

B



C

C



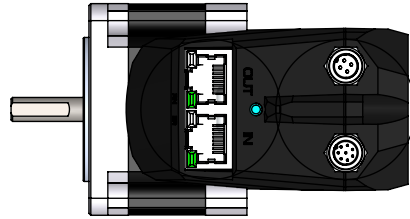
B

D

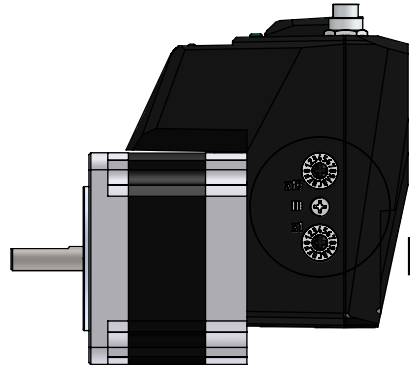


A

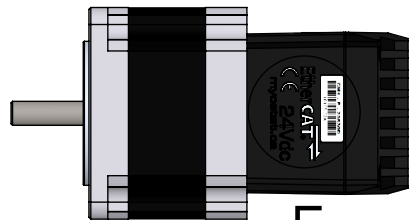
E



B



D



E

C

Pin #	Name	EtherCAT Function	Motor Function	Specification			
Digital Inputs - Sourcing (supply 0V to trigger)				Parameter	Min	Max	Unit
1 - Orange	IN 1	Digital Inout 1	-	Voltage Range	0	36	V
2 - Brown	IN 2	Digital Input 2	Digital Input 2	Input ON Level	0	1.4	V
3 - Green	IN 3	Digital Input 3	Digital Input 3	Input Off Level	1.4	36	V
4 - Yellow	IN 4	Digital Input 4	-	Continuous Current	-	30	mA
				Peak Current	-	0.5	A
				Pulse Width	-	1	ms
Analog Input (0-5V)				Parameter	Min	Max	Unit
5 - Purple	A - IN 5	-	Analog Input 4	Voltage Range	0	5	V
				Resolution	10 bit		
Digital Outputs - Sinking (output supplies 0V when Asserted)				Parameter	Min	Max	Unit
6 - Blue	Out 1	Digital Output 1	-	Voltage Range	0	-	V
7 - Black	Out 2	-	Output 2	Continuous Current	-	1	A
				Inductive Load Peak Rev Current	-	0.2	A
				Inductive Load Peak Rev Voltage	-	70	V
Signal Ground (0V)				Parameter	Min	Max	Unit
8 - Red	0V	0V	0V	Voltage Range	0	0	V

Part Number	Input Voltage	Peak Torque	Peak Current	Peak Speed
CM1-E-23S30D	24V ± 10%	0.46 Nm (65.14 oz.in)	5.1A	3000 rpm
CM1-E-23L20D		1.24 Nm (175.6 oz.in)	3.4A	2000 rpm

CE requires cables longer than 30 meters to have surge protection

POWER

Binder

CM1M9-4F-4000

4 - Motor Drive Power [24V ± 10%]

Input/Output

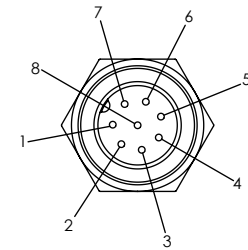
Binder

CM1M9-8F-4000

1 - EtherCat + Motor Control Power [24V ± 10%]

3 - GND

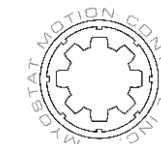
2 - GND



Unless otherwise specified, tolerance to be: CNS 4018
 If 14 Linear measures
 0.5-3 ±0.1
 3-6 ±0.1
 6-30 ±0.2
 30-120 ±0.3
 120-315 ±0.5

PROPRIETARY AND CONFIDENTIAL
 THE INFORMATION CONTAINED IN THIS DRAWING IS THE SOLE PROPERTY OF MYOSTAT MOTION CONTROL INC. ANY REPRODUCTION IN PART OR AS A WHOLE WITHOUT THE WRITTEN PERMISSION OF MYOSTAT MOTION CONTROL INC. IS PROHIBITED.

	NAME	DATE
DRAWN	M.Dank	12-07-2018
CHECKED	M.McCann	12-07-2018
ENG APPR.	M.McCann	12-07-2018



Myostat Motion Control Inc.
 +1 905-836-4441
 www.myostat.ca

DO NOT SCALE DRAWING UNITS: mm [inch]

TITLE:

CM1 EtherCAT Interface

SIZE	PRT. NO.	REV
A	CM1-E-23□□0D	1.2

SCALE 1:2

SHEET 2 OF 2

4

3

2

1

D

C

B

A